

Valik vabavaralisi tasuta programme

Kristjan Sakk

kristjan@edunet.ee

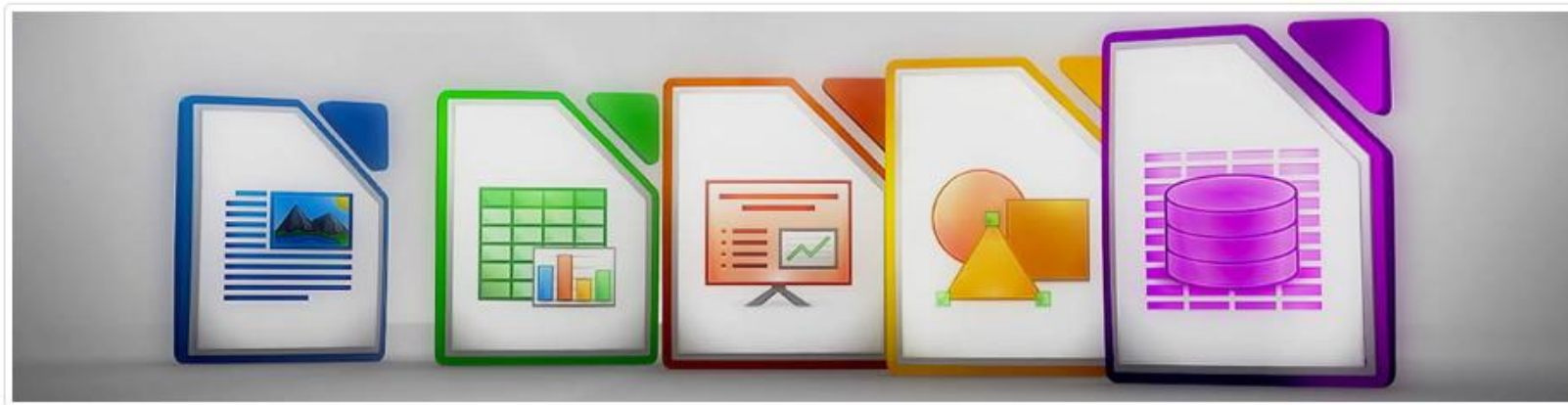
www.edunet.ee

IT-, juhtimiselased konsultatsioonid ja koolitused

EDUNET
Teadmised on väärtus

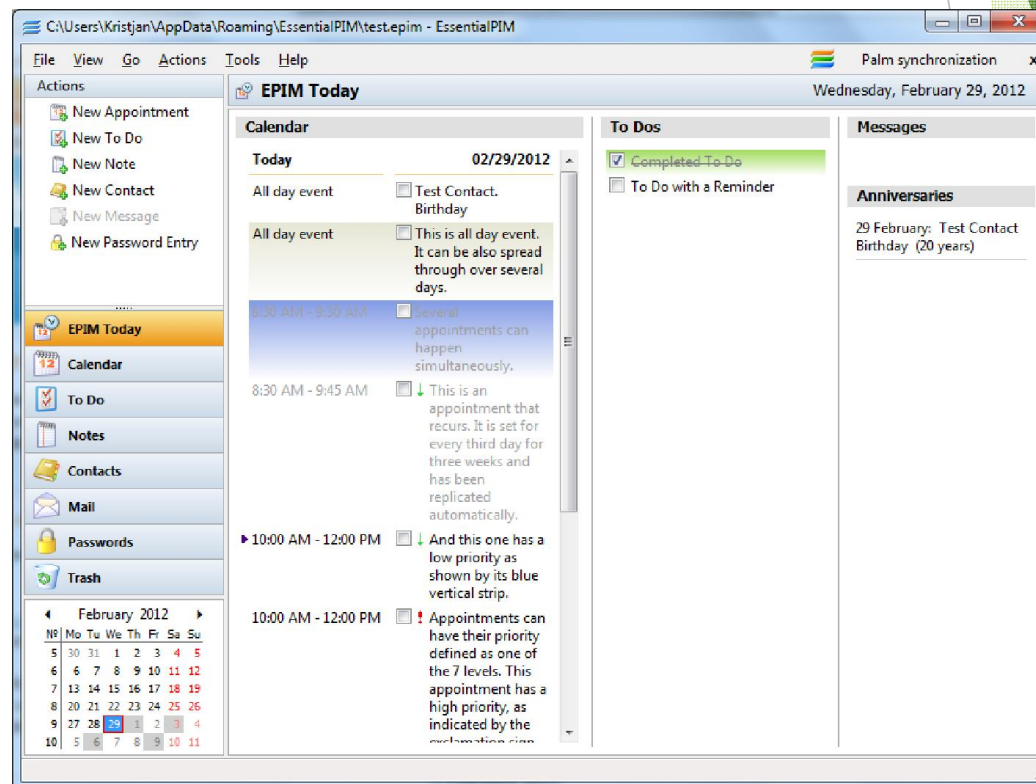
Kontoritarkvara (tekstitöötlus, tabelarvutus jt)

- ▶ LibreOffice <http://www.libreoffice.org/>



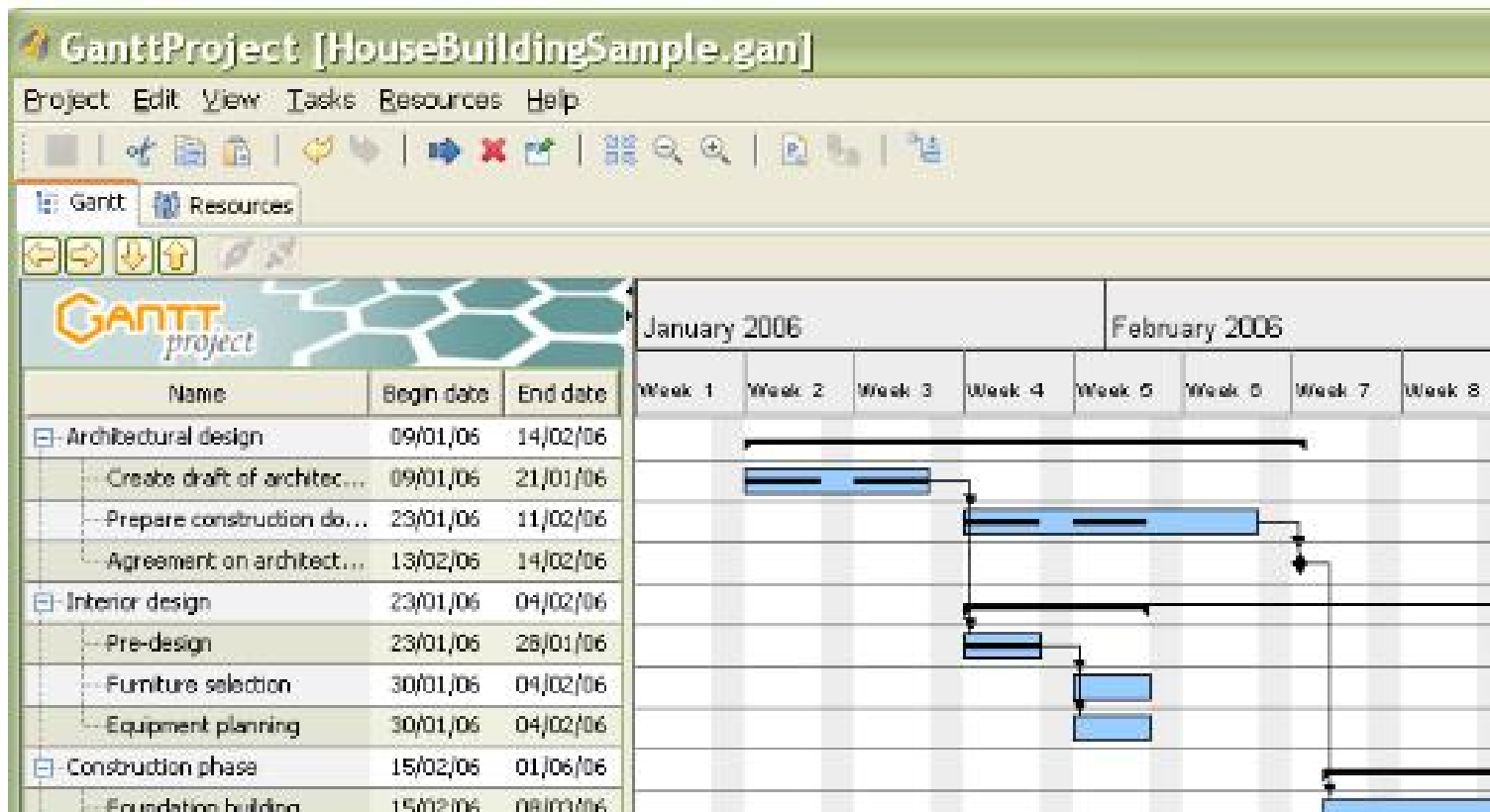
Töökorraldus (e-post, kalender, ülesanded, märkmed jt)- nagu Outlook

- ▶ EssentialPIM www.essentialpim.com



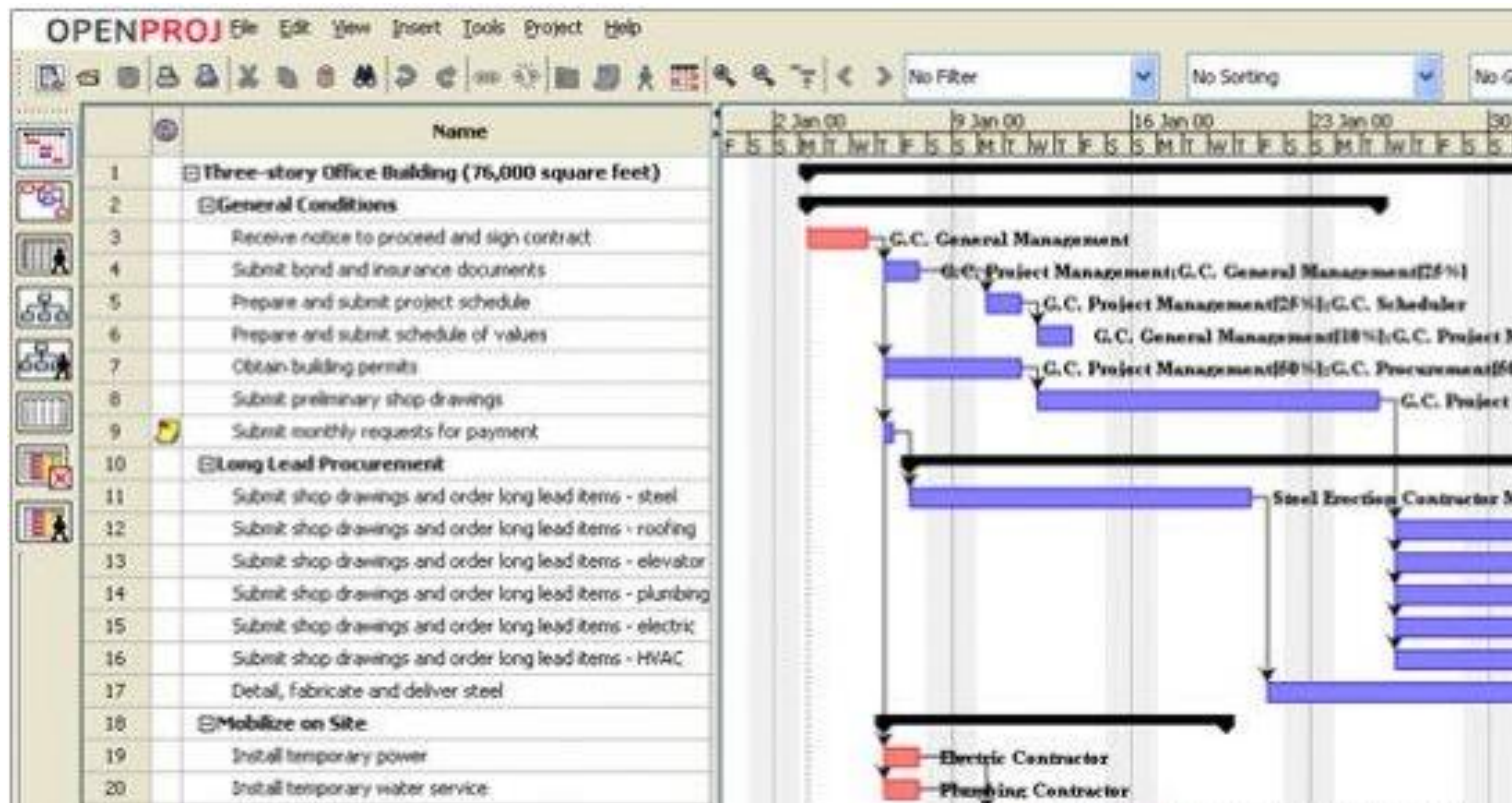
Projektijuhtimine

- ▶ <http://www.ganttproject.biz/>



Projektijuhtimine

► <http://sourceforge.net/projects/openproj/>



Fototöötlus ja graafika

- ▶ GIMP <http://www.gimp.org/>



3d joonistamine

<http://www.sketchup.com/>



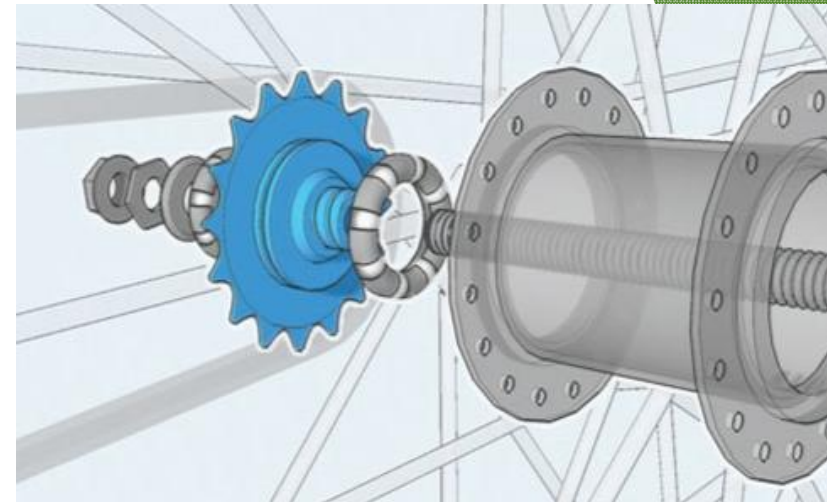
SketchUp is 3D for

Products Buy Le

The easiest way to draw in 3D
You love what you do. Now love how you do it.

[Download SketchUp](#)

- Construction
- Architecture
- Construction
- Light Construction & Remodeling
- Engineering
- Commercial Interiors
- Kitchen, Bath & Interior Design
- Landscape Architecture
- Urban Planning
- Game Design
- Film & Stage
- Woodworking
- 3D Printing
- K12 Education
- Higher Education



The easiest way to draw in 3D

You love what you do. Now love how you do it.

[Download SketchUp](#)



Viirustõrje

- ▶ Microsoft Security Essential

<http://windows.microsoft.com/et-EE/windows/products/security-essentials>



PDF

- ▶ Salvesta PDF dokumente: <http://www.bullzip.com>
- ▶ Täida ja loe PDF dokumente: <http://www.foxitsoftware.com>

Foxit Reader

